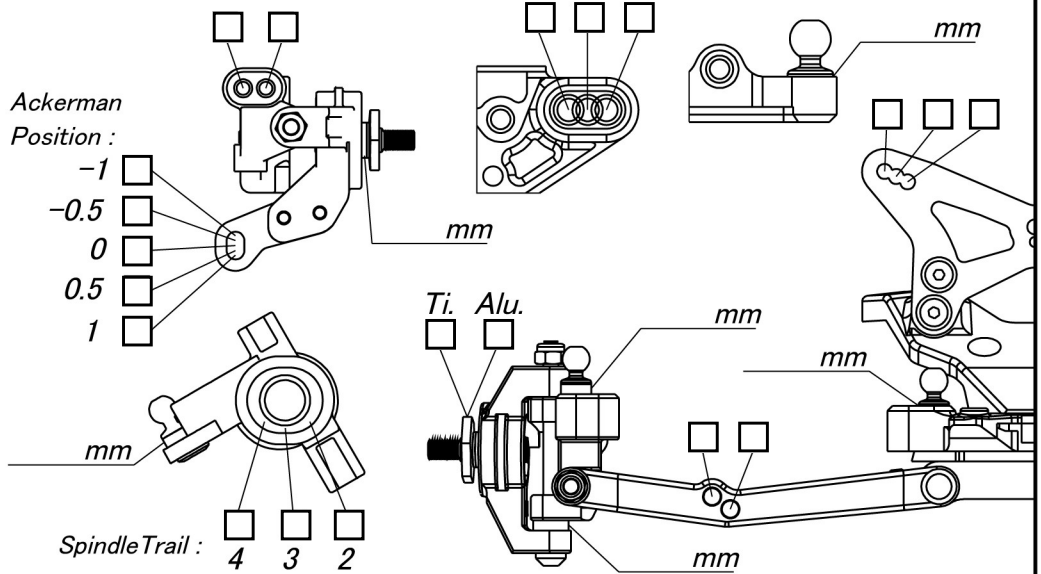


Driver : _____
 Date : _____
 Track : _____
 Event : _____

Track Condition
 Size : Open Mid Tight
 Traction : High Mid Low
 Condition : Smooth Bumpy Dry Wet
 Surface : Carpet Dirt Astroturf

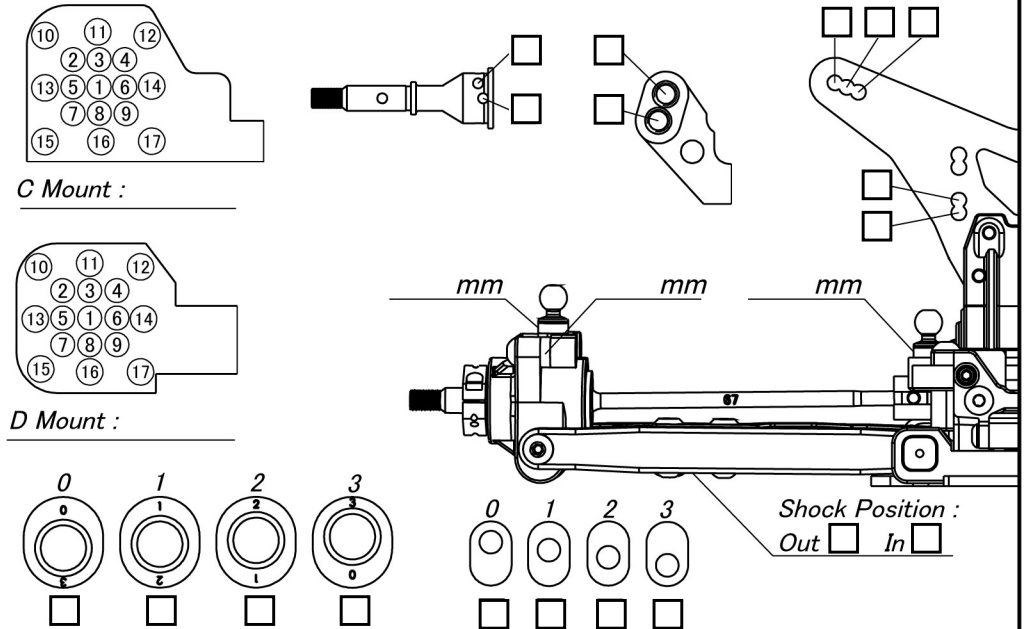
Front Suspension

Ride Height : _____
 Camber : _____
 Toe : _____
 Anti-roll Bar : _____
 Front Bulkhead Spacer : _____
 Plastic mm / Brass mm
 Notes : _____

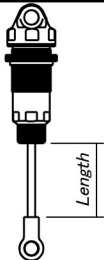


Rear Suspension

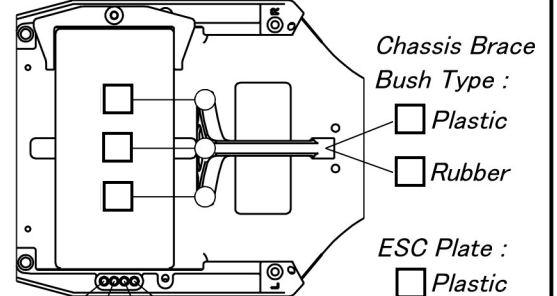
Ride Height : _____
 Camber : _____
 Anti-roll Bar : _____
 Arm Position : Fwd Back
 Hub Position : Fwd Mid Back
 Notes : _____



Shocks



	Front		Rear			
Piston :						
Oil :						
Spring :						
Length :						
Limiters :	Int :	Ext :	Int :	Ext :		
Eyelet Length :	Std <input type="checkbox"/>	+2 <input type="checkbox"/>	Std <input type="checkbox"/>	+2 <input type="checkbox"/>		
Cup Offset :	Low <input type="checkbox"/>	Mid <input type="checkbox"/>	High <input type="checkbox"/>	Low <input type="checkbox"/>	Mid <input type="checkbox"/>	High <input type="checkbox"/>



Total Weight : _____ g

Electronics

Radio : _____
 Servo : _____
 ESC : _____
 Motor : _____
 Gearing : _____ / _____
 Battery : _____ / _____ g

Weight
 Servo Weight : Yes No
 Battery Weight : 19g 37g

Differential

Gear Diff 2 Gear Oil : _____
 4 Gear Friction O-ring : _____
 Ball Diff Setting : _____

Tire	Front	Rear
Type :		
Compound :		
Inserts :		
Wheel :		
Additive :		

Body & Wing

Body : _____
 Rear Wing : _____
 Wing Angle : 0° 3° 6°
 Front Wing : _____ Low : High :