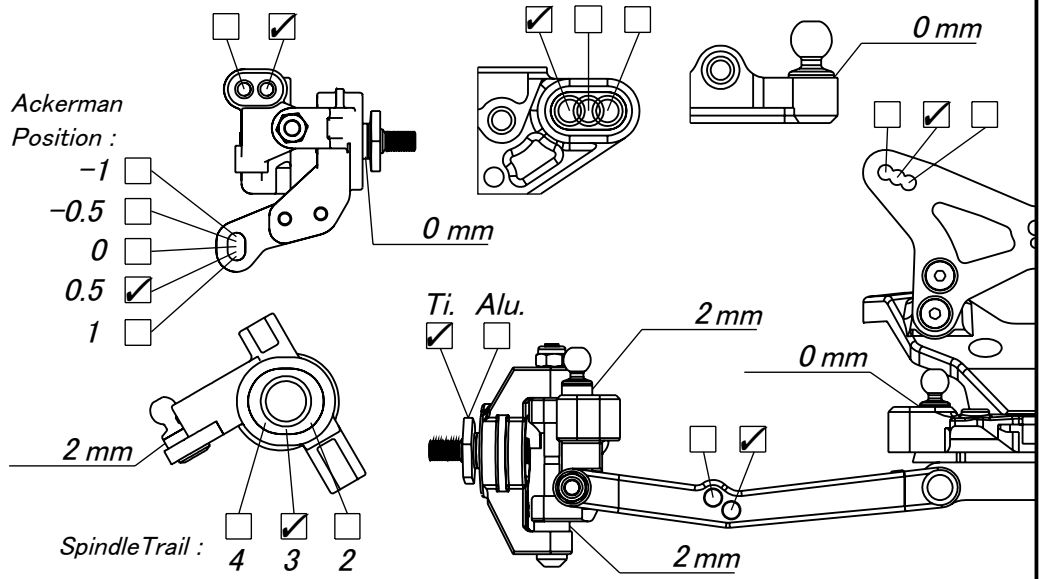


Driver : _____
 Date : _____
 Track : Slick Dirt
 Event : _____

Track Condition
 Size : Open Mid Tight
 Traction : High Mid Low
 Condition : Smooth Bumpy Dry Wet
 Surface : Carpet Dirt AstroTurf

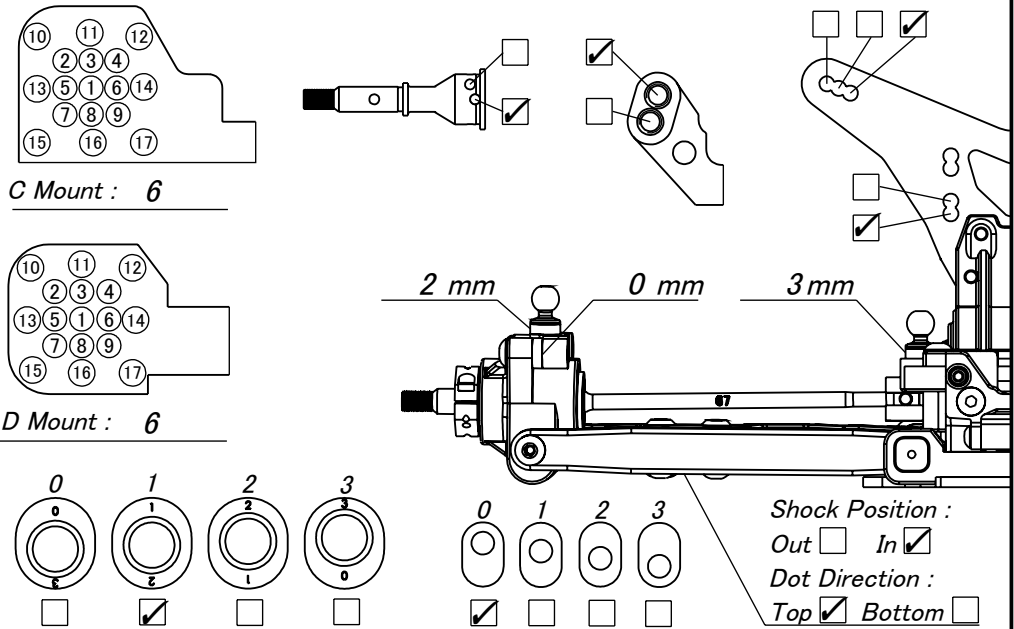
Front Suspension

Ride Height : 17mm
 Camber : 2°
 Toe : -0.5°
 Anti-roll Bar : ∅ 1.0
 Front Bulkhead Spacer :
Plastic 1 mm / Brass 1 mm
 Shock Pivot Ball Position :
 Fwd Back
 Notes : _____

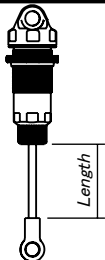


Rear Suspension

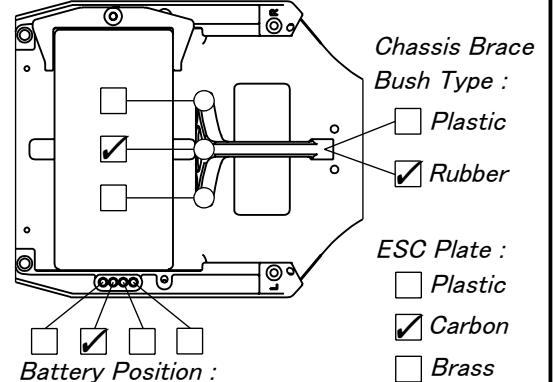
Ride Height : 17mm
 Camber : 2°
 Anti-roll Bar : ∅ 1.0
 Arm Position : Fwd Back
 Hub Position : Fwd Mid Back
 Shock Pivot Ball Position :
 Fwd Back
 Notes : _____



Shocks



	Front	Rear
Piston :	2.0-1.7x4	2.0-1.7x4
Oil :	600	500
Spring :	2 Dots	2 Dots
Length :	23.5mm	30mm
Limiters :	Int : 1mm Ext : 2mm	Int : Ext :
Eyelet Length :	Std <input checked="" type="checkbox"/> +2 <input type="checkbox"/>	Std <input checked="" type="checkbox"/> +2 <input type="checkbox"/>
Cup Offset :	Low <input type="checkbox"/> Mid <input checked="" type="checkbox"/> High <input type="checkbox"/>	Low <input checked="" type="checkbox"/> Mid <input type="checkbox"/> High <input type="checkbox"/>



Electronics

Differential

Radio :	Gear Diff : <input checked="" type="checkbox"/>		2 Gear : <input type="checkbox"/> Oil : 4K
Servo :	4 Gear : <input checked="" type="checkbox"/>		Friction : Red 4pcs. O-ring :
ESC :	Ball Diff : <input type="checkbox"/> Setting :		

	Tire	Front	Rear
Motor :			
Gearing :	Type :	Slick	Slick
Battery : / 160g	Compound :		
Weight		Inserts :	
Servo Weight : Yes <input type="checkbox"/> No <input type="checkbox"/>	Wheel :	Mugen	Mugen
Battery Weight : 19g <input checked="" type="checkbox"/> 37g <input type="checkbox"/>	Additive :	Yes	Yes

Total Weight : _____ g

Body & Wing

Body :	Kit LW		
Wing :	Kit		
Wing Angle :	0° <input type="checkbox"/>	3° <input type="checkbox"/>	6° <input checked="" type="checkbox"/>
Front Wing :	Kit	Low : <input type="checkbox"/>	High : <input checked="" type="checkbox"/>